

## LA-OA-001 All-in-One Omni-Directional In-Building Antenna

Compact In-Building Application, 617 MHz - 6 GHz Coverage, MIMO/SISO, Low PIM

### Antenna Features

- Ideal for MIMO iDAS and Small Cell applications
- 360° omni-directional
- Widest range of bands: 617 MHz to 6 GHz
- Lowest PIM: -153dBc
- Rated maximum power of 70W
- Compact size: 9.44" x 0.71"
- Light weight: 1.22lb
- Environment-friendly pebble design



### Antenna Description

Lexington Ames' OA-001 All-in-One Omni-directional In-Building MIMO/SISO Antenna is designed to meet the requirements of virtually any kind of in-building wireless applications, covering from low band to high band. The large band allowance of the all-bands-in-one-antenna solution significantly increases the utility, supporting all kinds of wireless applications including PCS, cellular, AWS, WiMAX, LTE, 5G, and WiFi. Yet, the performance of the product exceeds the existing products that are currently available in the market. The multi-purpose OA-001 is ideal for stadium, shopping complex, hospital, office building, school, and multi-dwelling buildings and any other in-building DAS and other applications.

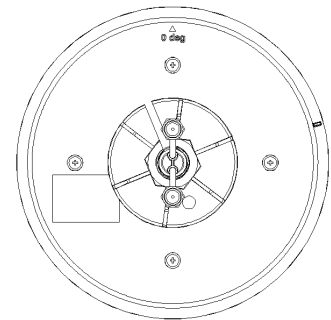
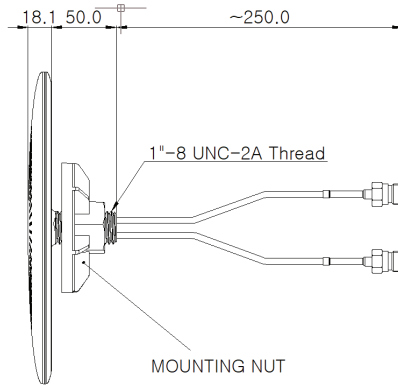
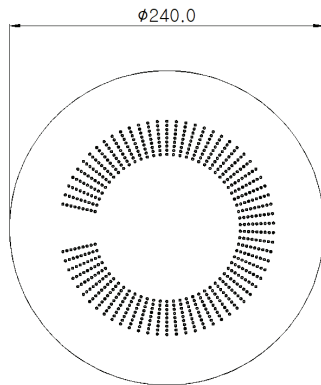
### Specifications

Electrical Specifications						
Frequency Range [MHz]	617-698	698-960	1695-2200	2300-2700	3300-4200	4900-6000
Gain [dBi, Average]	2.6	3.3	3.9	4.2	4.5	5.5
Isolation [dB]	≥ 16	≥ 18	≥ 18	≥ 20	≥ 20	≥ 20
VSWR	≤ 1.8 : 1					
Azimuth Beamwidth	360°					
Polarization	Linear Horizontal					
Impedance [Ω]	50					
PIM @ 3rd 2x20W dBm	≤ -153 dBc					
Maximum Effective Power	70W					
Mechanical Specifications						
Antenna Dimension	9.44" x 0.74" (240 mm x 18.1 mm)					
Antenna Weight	1.1 lbs (500 g)					
Antenna Color	White					
Input Connector Type	MIMO: 2 x 4.3-10 or N (female), SISO: 1 x 4.3-10 or N (female)					
Connector Position	Rear					
Mounting Condition	Ceiling tile, Full threads bolt					
Operating Temperature	-40° to 140°F (-40° to +60°C)					
Radome Material	PC/ABS					
Material Substance Compliance	RoHS					

## LA-OA-001 All-in-One Omni-Directional In-Building Antenna

Compact In-Building Application, 617 MHz - 6 GHz Coverage, MIMO/SISO, Low PIM

### Antenna Outline



### Antenna Patterns

